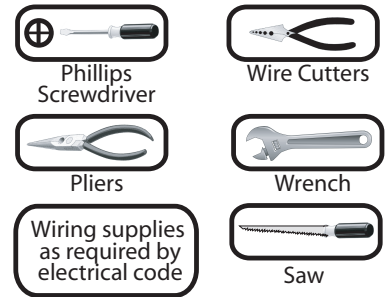


# RECESSED LIGHT

(NON INSULATING)

**QUESTIONS OR CONCERNS CONTACT CANARM AT:**  
 1-800-265-1833 (English) 1-800-567-2513 (French) 1-800-267-4427 (USA)  
 Monday through Friday 8:00 AM to 5:00 PM E.S.T.

**TOOLS AND MATERIALS REQUIRED:**



"INSTRUCTIONS PERTAINING TO RISK OF FIRE OR INJURY TO PERSONS"  
"READ ALL INSTRUCTIONS"

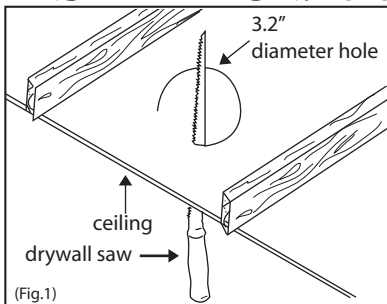
## "IMPORTANT SAFETY INSTRUCTIONS"

### "SAVE THESE INSTRUCTIONS"

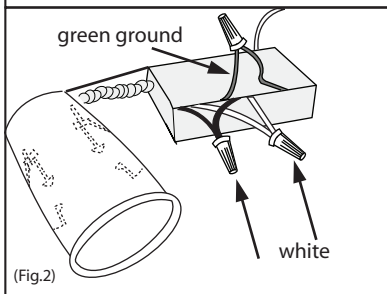
**SAFETY PRECAUTIONS:**

1. TURN OFF ELECTRICAL POWER BEFORE STARTING INSTALLATION OF LIGHT FIXTURE.
  2. THIS PRODUCT MUST BE INSTALLED IN ACCORDANCE WITH THE APPLICABLE INSTALLATION CODE BY A PERSON FAMILIAR WITH THE CONSTRUCTION AND OPERATION OF THE PRODUCT AND THE HAZARDS INVOLVED.
  3. CAUTION - RISK OF FIRE. CONSULT A QUALIFIED ELECTRICIAN TO ENSURE CORRECT BRANCH CIRCUIT CONDUCTOR.
  4. KEEP INSULATION AT LEAST 3 INCHES AWAY FROM HOUSING. (FIG.8)
  5. CONNECT THE GROUND WIRE (BARE COPPER OR GREEN) FROM YOUR FIXTURE TO THE GROUND WIRE (BARE COPPER OR GREEN) OR GROUND SCREW IN THE ELECTRICAL OUTLET BOX.
  6. CAUTION : RISK OF FIRE, ONLY USE CANARM 3" TRIM.
- CANARM MODEL NUMBER : T3SB01, T3PB01, T3TG01.**  
**NOTE: Product May Not Look Exactly As Shown In Figures.**

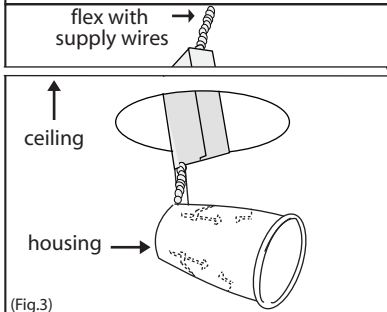
**INSTALLATION: Follow one of the following steps for your trim.**



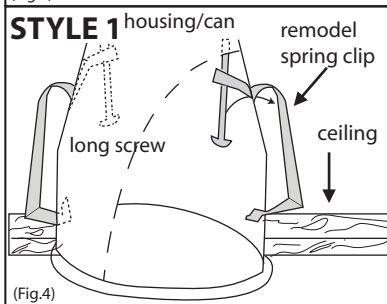
1. Using 3 2" template on the box, mark the openings and cut the openings with a drywall saw where you intend to install the lights. (Fig.1)



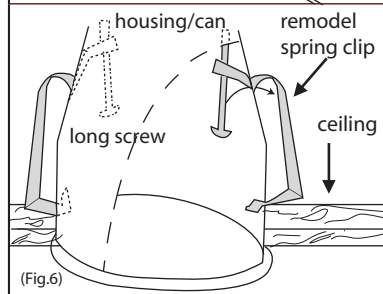
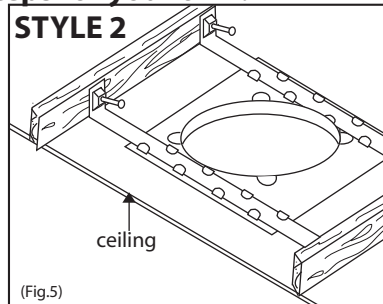
2. Pull wiring through hole cut out. Using the wire-nut, connect the incoming and outgoing wires by matching white to white, black to black and green to ground or green wire and twist on. Make sure no bare wires are exposed outside the wire connectors. (Fig.2)



3. Lift the housing onto the drywall. (Fig.3)



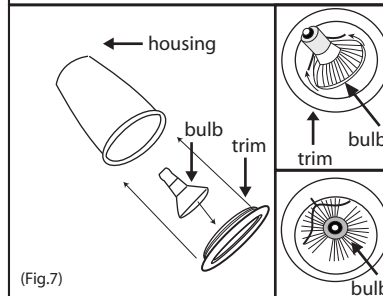
4. **STYLE 1-Remodel Installation:** Screw the long screws against the back of the can. (Fig.4)



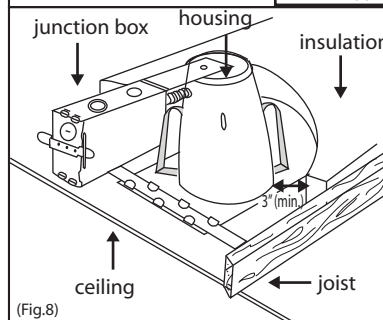
**STYLE 2-New Construction:**

Spread the mounting bars. Align the housing to the lower edge of the joists and hammer in place. (Fig.5)

Screw the long screws against the back of the can. (Fig.6)



5. Install the proper bulb - Max 50 w GU10 Shielded and Canarm Trim as specified above. (Fig.7)



6. Do not install insulation within 76 mm (3 in) of any part of the luminaire. (Fig.8)